

MP20XUX

2,000kg

Platform Pallet Truck



Productivity

- Advanced AC control system
- Regenerative brake system
- Anti-pin button (Reverses truck to prevent user being pinned)
- Quick emergency disconnect (QED)
- Creep speed button (fine control with tiller arm in vertical position)
- Mechanical or electrical steering option available.

Dependability

- Spring-loaded castors improve lateral stability on uneven floors and enhance truck performance and service life
- One-piece heavy gauge steel is formed for high strength forks.

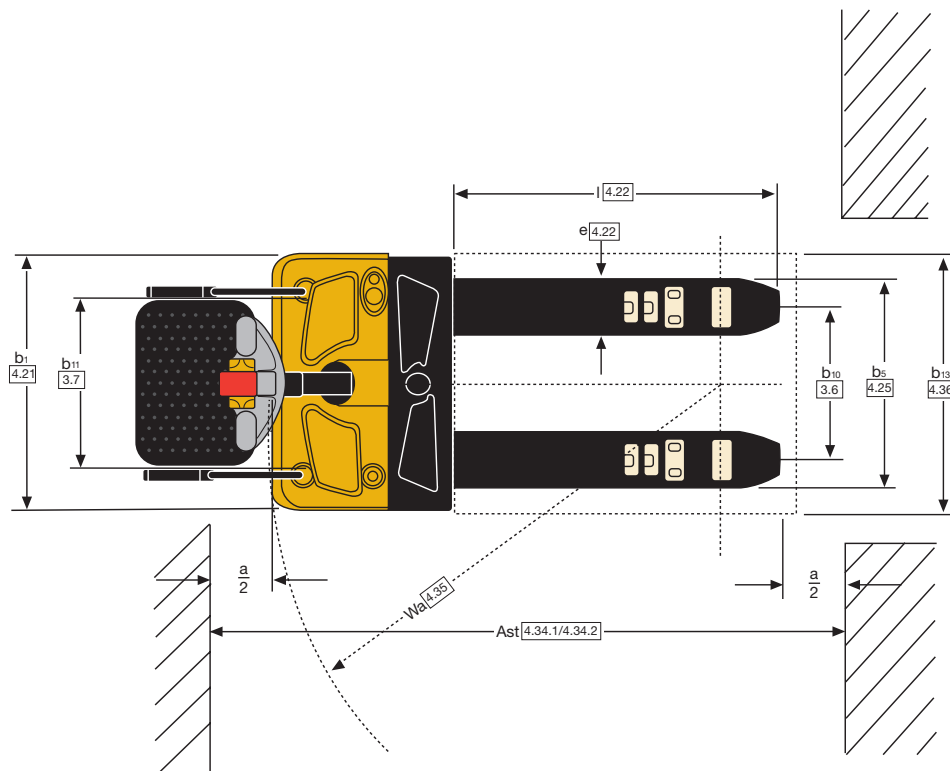
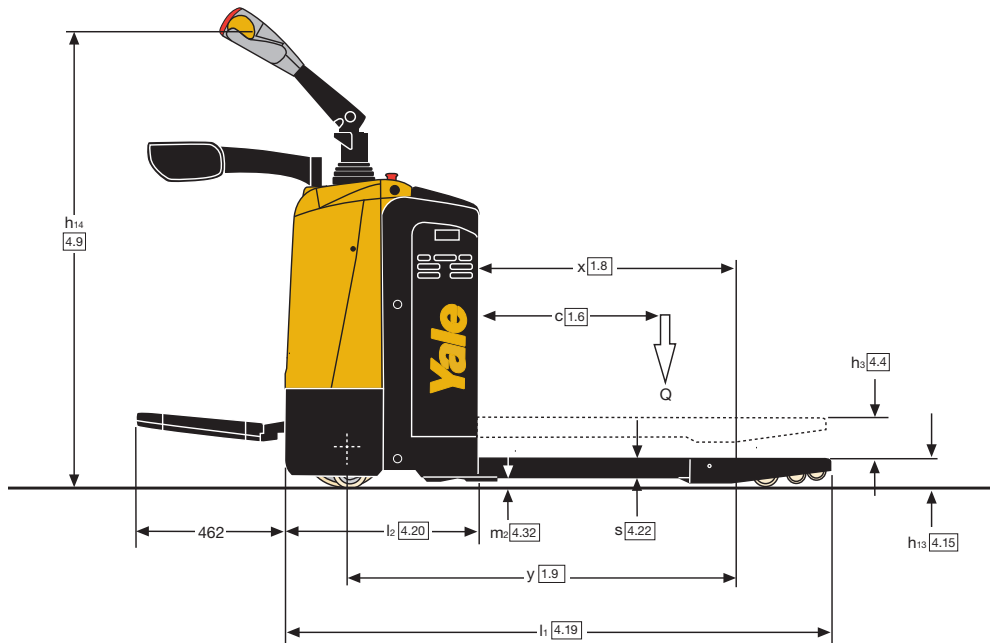
Serviceability

- Low battery protection setting prolongs the battery usage
- CAN bus technology reduces wiring complexity and increases reliability
- All pivot points have greased fittings and serviceable bushing, reducing component wear and extending component life
- Side battery extraction.

VDI 2198 – General Specifications

Distinguishing mark	1.1	Manufacturer		Yale
	1.2	Manufacturer's type designation		MP20XUX
	1.3	Drive: electric (battery or mains), diesel, petrol, fuel gas		Electric (battery)
	1.4	Operator type: hand, pedestrian, standing, seated, order-picker		Standing
	1.5	Rated load capacity/rated load	Q (kg)	2000
	1.6	Load centre distance	c (mm)	600
	1.8	Load distance, centre of drive axle to fork	x (mm)	815 / 865 / 935
	1.9	Wheelbase	y (mm)	1211 / 1261 / 1331
	Weights	2.1	Service weight (with battery)	kg
2.2		Axle loading, laden front/rear	mm	1300 / 1410
2.3		Axle loading, unladen front/rear	mm	110 / 600
Tyres/chassis	3.1	Tyres: polyurethane, tophane, Vulkollan [®] , front/rear		Polyurethane
	3.2	Tyre size, front		Φ 250 × 70
	3.3	Tyre size, rear		Φ 82 × 98
	3.4	Addition wheel (dimensions)		Φ 127 × 57
	3.5	Wheels, number front rear(x=driven wheels)		1X + 2/2(4)
	3.6	Tread, front	b ₁₀ (mm)	490
	3.7	Tread, rear	b ₁₁ (mm)	340 / 370 / 470 / 505
Dimensions	4.4	Max.lift height	h ₃ (mm)	202
	4.9	Height drawbar in driving position min./max.	h ₁₄ (mm)	1150 / 1430
	4.19	Overall length	l ₁ (mm)	1710 / 1760 / 1830
	4.20	Length to face of forks	l ₂ (mm)	610
	4.21	Overall width	b ₁ / b ₁ (mm)	775
	4.22	Fork dimensions	s/e/l (mm)	53 / 180 / 1100 (1150 / 1220)
	4.25	Width overall forks	b ₅ (mm)	520 / 550 / 650 / 685
	4.32	Ground clearance, centre of wheelbase	m ₂ (mm)	28
	4.34.1	Aisle width for pallets 1000 × 1200 crossways	A _{st} (mm)	1910 / 1960 / 2030
	4.34.2	Aisle width for pallets 800×1200 crossways	A _{st} (mm)	2010 / 2010 / 2030
4.35	Turning radius	W _a (mm)	1550 / 1600 / 1670	
Performance data	5.1	Travel speed, laden/unladen	km/h	7.0 / 7.1
	5.2	Lift speed, laden/unladen	km/h	0.039 / 0.056
	5.3	Lowering speed, laden/unladen	m/s	0.064 / 0.050
	5.6	Max. gradeability, laden/unladen	%	8 / 20
	5.10	Service brake		Electromagnetic
Electric engine	6.4	Battery voltage,nominal capacity Ks	V/Ah	24 / 210
	6.5	Battery weight	kg	170
		Battery compartment dimensions, l/w/h	mm	750 x 170 x 534
10.7	Sound pressure level at the driver's seat	dB (A)	70	

Truck Dimensions



MP20XUX



Yale Europe Materials Handling



Centennial House
Frimley Business Park
Frimley, Surrey GU16 7SG
United Kingdom

Tel: +44 (0) 1276 538500
Fax: +44 (0) 1276 538559

www.yale.com



Publication part no. 220990878 Rev.00 Printed in The Netherlands (0420HG) EN.
HYSTER-YALE UK LIMITED trading as Yale Europe Materials Handling.
Specification is subject to change without notice.

Yale, VERACITOR and  are registered trademarks. "PEOPLE, PRODUCTS, PRODUCTIVITY",
PREMIER, Hi-Vis, and CSS are trademarks in the United States and certain other jurisdictions.
MATERIALS HANDLING CENTRAL and MATERIAL HANDLING CENTRAL are Service Marks in
the United States and certain other jurisdictions.  is a Registered Copyright.

© Yale Europe Materials Handling 2020. All rights reserved. Truck shown with optional equipment.
Country of Registration: England and Wales. Company Registration Number: 02636775