

MPSC series

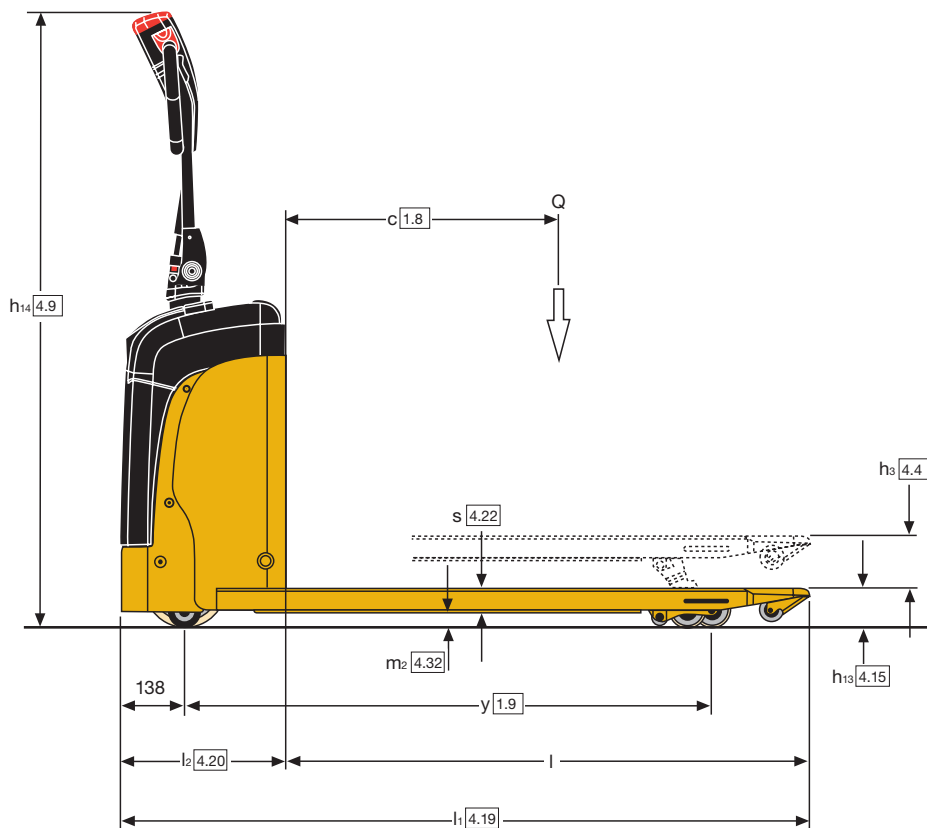
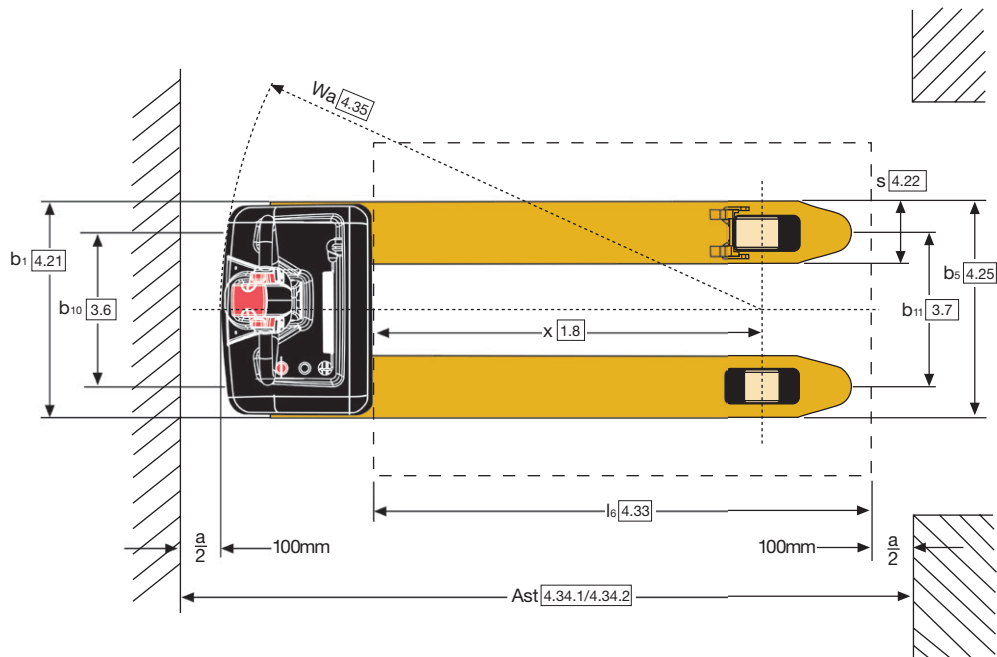
Super Compact Pallet Truck

1,200kg

- Compact chassis design to improve accessibility
- MOSFET DC Combi controller for traction and hydraulic controls
- Ergonomically tiller head designed for maximum operator comfort



Truck Dimensions



VDI 2198 – General Specifications

Distinguishing mark	1.1	Manufacturer (abbreviation)		Yale
	1.2	Manufacturer's type designation		MPSC12
	1.3	Drive: electric (battery or mains), diesel, petrol, fuel gas		Electric (battery)
	1.4	Operator type: hand, pedestrian, standing, seated, order-picker		Pedestrian
	1.5	Rated capacity/Rated load	Q (t)	1.2
	1.6	Load centre distance	c (mm)	600
	1.8	Load distance, centre of drive axle to fork	x (mm)	886
	1.9	Wheelbase	y (mm)	1119
	Weights	2.1	Service weight	kg
2.2		Axle loading, laden front/rear	kg	438 / 910
2.3		Axle loading, unladen front/rear	kg	114 / 31
Tyres/chassis	3.1	Tyres: solid rubber, superelastic, pneumatic, polyurethane front/rear		Solid rubber / Polyurethane
	3.2	Tyre size, front	ø (mm x mm)	186 x 50
	3.3	Tyre size, rear	ø (mm x mm)	82 x 60
	3.4	Additional wheels (dimensions)	ø (mm x mm)	75 x 25
	3.5	Wheels, number front/rear (x = driven wheels)		1x + 2 / 2
	3.6	Tread, front	b ₁₀ (mm)	369
	3.7	Tread, rear	b ₁₁ (mm)	371
Dimensions	4.4	Lift	h ₃ (mm)	200
	4.9	Height of tiller arm in driving position min./max.	h ₁₄ (mm)	885 / 1345
	4.15	Height, lowered	h ₁₃ (mm)	85
	4.19	Overall length (pedestrian)	l ₁ (mm)	1510
	4.20	Length to face of forks (pedestrian)	l ₂ (mm)	360
	4.21	Overall width	b ₁ / b ₂ (mm)	520
	4.22	Fork dimensions DIN ISO 2331	s/e/l (mm)	55 / 150 / 1150
	4.25	Outside Fork Width	b ₅ (mm)	520
	4.32	Ground clearance, centre of wheelbase	m ₂ (mm)	30
	4.33	Load dimension b ₁₂ x l ₆ crossways	b ₁₂ x l ₆ (mm)	1000 x 1200
	4.34.1	Aisle width for pallets 1000mm x 1200mm crossways (pedestrian)	A _{st} (mm)	2079
	4.34.2	Aisle width for pallets 800mm x 1200mm lengthwise (pedestrian)	A _{st} (mm)	1977
	4.35	Turning radius (pedestrian)	Wa (mm)	1268
Performance data	5.1	Travel speed, laden/unladen	km/h	4.3 / 4.8
	5.1.1	Travel speed, laden/unladen, backwards	km/h	4.3 / 4.8
	5.2	Lift speed, laden/unladen	m/s	0.03 / 0.04
	5.3	Lowering speed, laden/unladen	m/s	0.05 / 0.02
	5.8	Max. gradeability, laden/unladen	%	10 / 25
	5.10	Service brake		Electric
Electric engine	6.1	Drive motor S2 60 minute rating	kW	0.35
	6.2	Lift motor, S3 15% rating	kW	0.4
	6.3	Battery according to DIN 43531/35/36 A,B,C, no		No
	6.4	Battery voltage/nominal capacity K5	(V) / (Ah)	24 / 50
	6.5	Battery weight	kg	28
	6.6	Energy consumption according to VDI cycle	kWh/h @Nr of Cycles	0.28
8.1	Type of drive unit		MOSFET	
10.7	Sound pressure level at the driver's seat	dB (A)	67	

All values are nominal values and they are subject to tolerances. For further information, please contact the manufacturer.

Yale products might be subject to change without notice.
Lift trucks illustrated may feature optional equipment.
Values may vary with alternative configurations.

MPSC series

Models: MPSC 12



Tiller head and controls

The tiller head is ergonomically designed for operator comfort. Responsive butterfly switches control travel direction, speed and braking allow a smooth start, controlled braking and acceleration.

Operator-friendly tiller head controls for productive load handling. Low effort controls ergonomically placed to reduce operator fatigue. Adjustable performance setting to suit specific operation conditions. Creep-speed function for manoeuvring in dense areas

Traction control

MOSFET DC Combi controller for traction and hydraulic controls. Battery discharge indicator.

Chassis

Compact chassis design to improve accessibility. Welded fork construction makes them highly resistant to torsion and heavy loads. In case of collision components and batteries are protected with special designed cover.

Forks

Single load wheels and exit/entry roller to optimize pallet handling. Standard anti-roll back system. Stabilizing wheels to maximize stability when turning.

Batteries

Optimized battery packs to ensure maximum time of operation. On board charger for on-site recharge. Quick accessibility for exchange of batteries. Maintenance free sealed batteries.

Serviceability

Easy access to motor and key components to reduce downtime.

HYSTER-YALE UK LIMITED

trading as **Yale Europe Materials Handling**
Centennial House,
Frimley Business Park,
Frimley, Surrey GU16 7SG, United Kingdom.


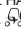
Tel: +44 (0) 1276 538500 Fax: +44 (0) 1276 538559

www.yale-forklifts.eu



Publication part no. 220990113 Rev.00 Printed in The Netherlands (0116HG) EN.

Safety: This truck conforms to the current EU requirements. Specification is subject to change without notice.

Yale, VERACTOR and  are registered trademarks. "PEOPLE, PRODUCTS, PRODUCTIVITY", PREMIER, Hi-Vis, and CSS are trademarks in the United States and certain other jurisdictions. MATERIALS HANDLING CENTRAL and MATERIAL HANDLING CENTRAL are Service Marks in the United States and certain other jurisdictions.  is a Registered Copyright. ©Yale Europe Materials Handling 2016. All rights reserved.

Truck shown with optional equipment. Country of Registration: England and Wales.
Company Registration Number: 02636775